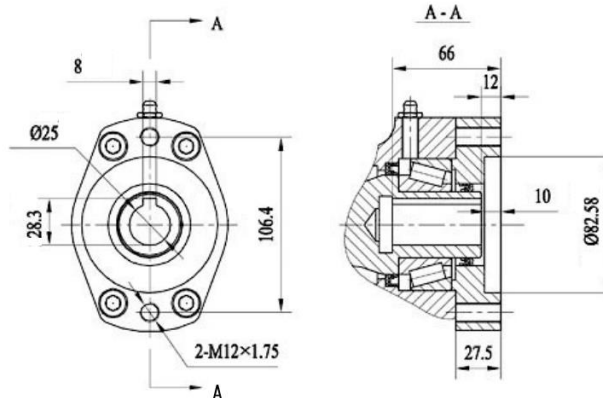
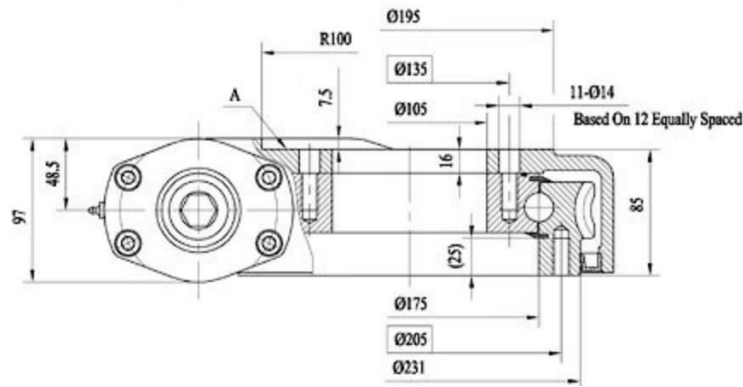
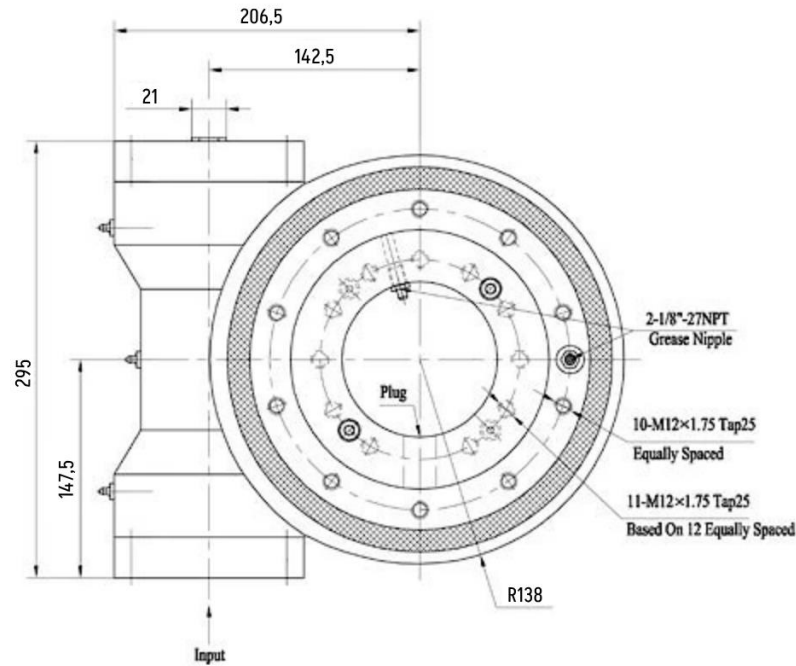
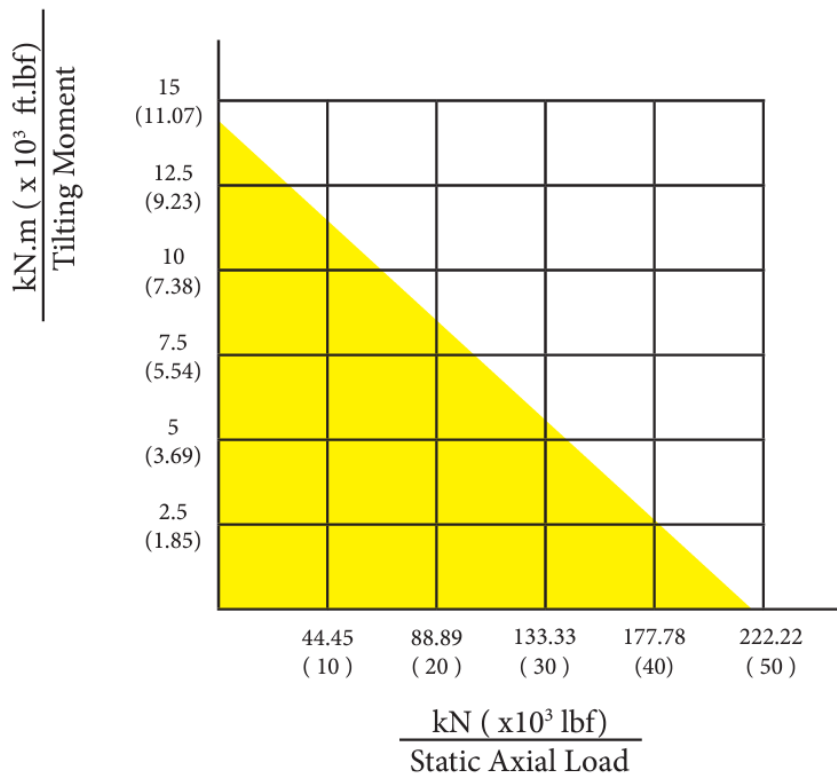


DATASHEET - DIMENSIONS

WEA7-47-25H-R





Weight:	35 kg
Axial load:	static - 220 kN, dynamic - 63 kN
Radial load:	static - 90 kN, dynamic - 48 kN
Tilting torque:	14,2 kNm
Holding torque:	20 kNm
Transmission Ratio:	47:1
Output torque:	3,5 kNm